

# Type 1 + 2 AC Surge Protectors DS150E Series

**limp  
15 kA**

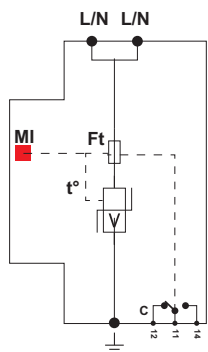
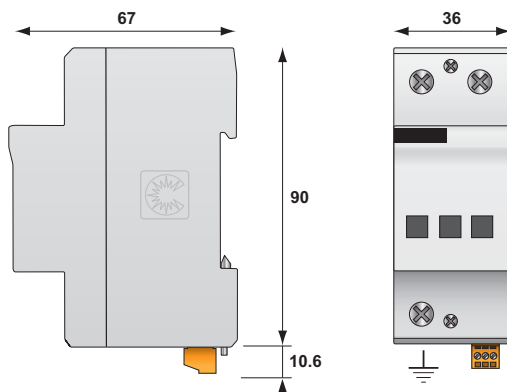


DS150E-300

- **Type 1 + 2 AC Power Surge Protector**
- **Enhanced Multi-MOV Design**
- **Individual Fault Indicator Windows**
- **limp : 15kA at 10/350µs**
- **Imax : 165kA at 8/20µs**
- **In : 50-70kA at 8/20µs**
- **UL 1449 3rd Edition Recognized**

## Dimensions and Electrical Diagram

(in mm)



V : High energy varistor network  
t° : Thermal disconnection system  
Ft : Thermal fuse  
MI : Disconnection indicator  
C : Remote signaling contact

## Characteristics

CITELE Part Number	DS150E-480	DS150E-300	DS150E-120
AC network voltage	347V-480V	220-277V	120V-127V
SPD configuration	1-pole	1-pole	1-pole
AC system	All	All	All
Maximum operating voltage	Uc 550 Vac	330 Vac	150 Vac
TOV withstand	Utr 770 Vac	440 Vac	230 Vac
Operating current	Ic < 2 mA	< 2 mA	< 2 mA
Follow current	If none	none	none
Nominal discharge current (IEC/UL) 15 x 8/20 µs impulses	In 50 kA / 20 kA	70 kA / 20 kA	70 kA / 20 kA
Maximum discharge current 8/20 µs withstand	Imax 165 kA	165 kA	165 kA
Maximum discharge current 10/350 µs withstand	limp 15 kA	15 kA	15 kA
Voltage protection rating	Vpr 1500 V	1000 V	600 V
Short-circuit current rating	Sccr 100 kA	100 kA	100 kA

### Associated Disconnection Devices

Thermal disconnecter	Internal
Fuses	Fuses type gG - 125 A max. (see Note 1)
Installation ground fault breaker	Type «S» or delayed

### Mechanical Characteristics

Dimensions	See diagram
Connection	By screw terminals : 6-35 mm <sup>2</sup> / by bus
Disconnection indicator	3 mechanical indicators
Remote signaling of disconnection	Output on changeover contact
Mounting	Symmetrical rail 35 mm
Operating temperature	-40/+85 °C
Protection class	IP20
Housing material	Thermoplastic UL94-V0

### Standards Compliance

IEC 61643-11: International	Low Voltage SPD - Test Class I and II
EN 61643-11: Europe	Low Voltage SPD - Test Class I and II
NF EN 61643-11: France	Parafoudre Basse Tension - Essais Classe I et II
UL1449 3rd Edition: USA	Type 4, for use in Type 2 locations

### Part Number

DS150E-480	2322
DS150E-300	1697
DS150E-120	1840

**Note 1:** Rating in compliance with NF C15-100 art. 534.1.3.5. In order to increase service continuity, higher rating can be used (up to 250 A). For further information, please consult product instructions.



# Type 1 + 2 Multi-Pole AC Surge Protectors

## DS152E, DS153E, DS154E

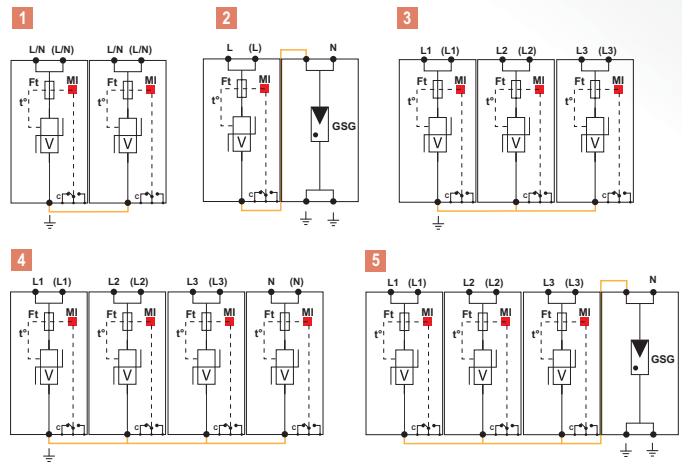
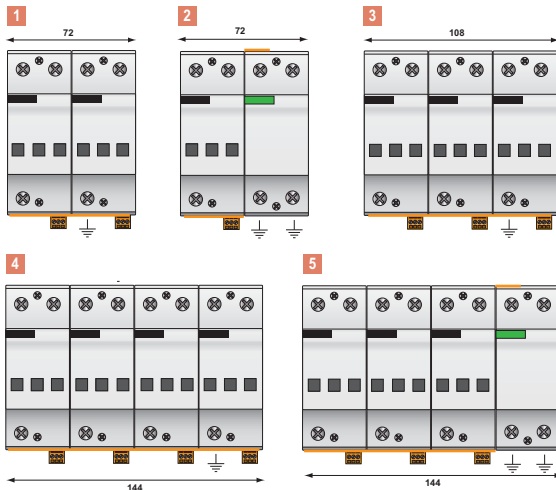


DS154E-300/G

DS15x E-xxx/G

- «x» = Configuration CT1 (common mode)
- «G» = Configuration CT2 (common and differential mode)
- Operating voltage (120, 300, 480)
- «E» = Enhanced «Varistor» technology
- Number of protected poles (2, 3, 4)

### Dimensions and Electrical Diagrams



Reference	Part Number	Network	AC System	Protection Mode		Iimp Total	Up L/PE	Up L/N	Diagram
				Common	Differential				
DS154E-300/G	2758	277/480 V 3-phase+N	Wye	●	●	100 kA	2.5 kV	2.5 kV	5
DS154E-120/G	2759	120/208 V 3-phase+N	Wye	●	●	100 kA	1.5 kV	1 kV	
DS154E-480	3943	347/600 V 3-phase+N	Wye	●		100 kA	2.5 kV	-	
DS154E-300	3329	277/480 V 3-phase+N	Wye	●		100 kA	2.5 kV	-	4
DS154E-120	-	120/208 V 3-phase+N	Wye	●		100 kA	1 kV	-	
DS153E-480	3481	480 V 3-phase	Delta	●		75 kA	2.5 kV	-	3
DS153E-300	3791	240 V 3-phase	Delta	●		75 kA	2.5 kV	-	
DS153E-120	3408	240 V 2-phase+N	Split phase	●		75 kA	1 kV	-	
DS152E-300/G	3406	277 V 1-phase+N	Single phase	●	●	50 kA	2.5 kV	2.5 kV	2
DS152E-120/G	-	120 V 1-phase+N	Single phase	●	●	50 kA	1.5 kV	1 kV	
DS152E-480	-	277 V 1-phase+N, 2-phase	Single/Split phase	●		50 kA	2.5 kV	-	1
DS152E-300	3723	277 V 1-phase+N, 2-phase	Single/Split phase	●		50 kA	2.5 kV	-	
DS152E-120	3790	120 V 1-phase+N, 2-phase	Single/Split phase	●		50 kA	1 kV	-	